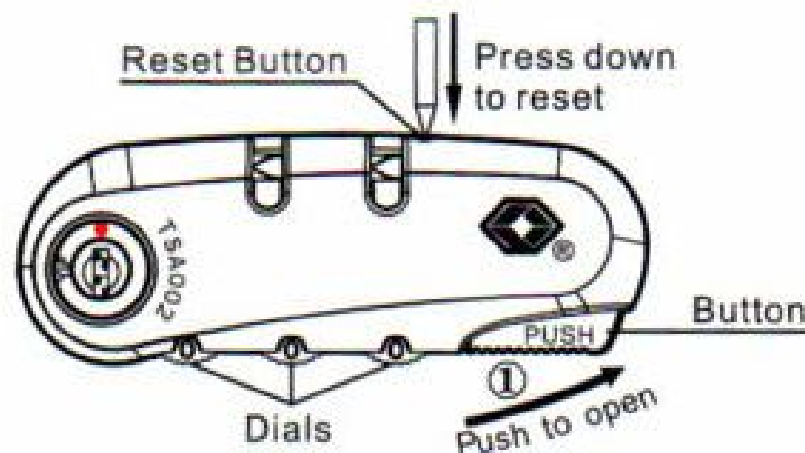


How to set your combination lock



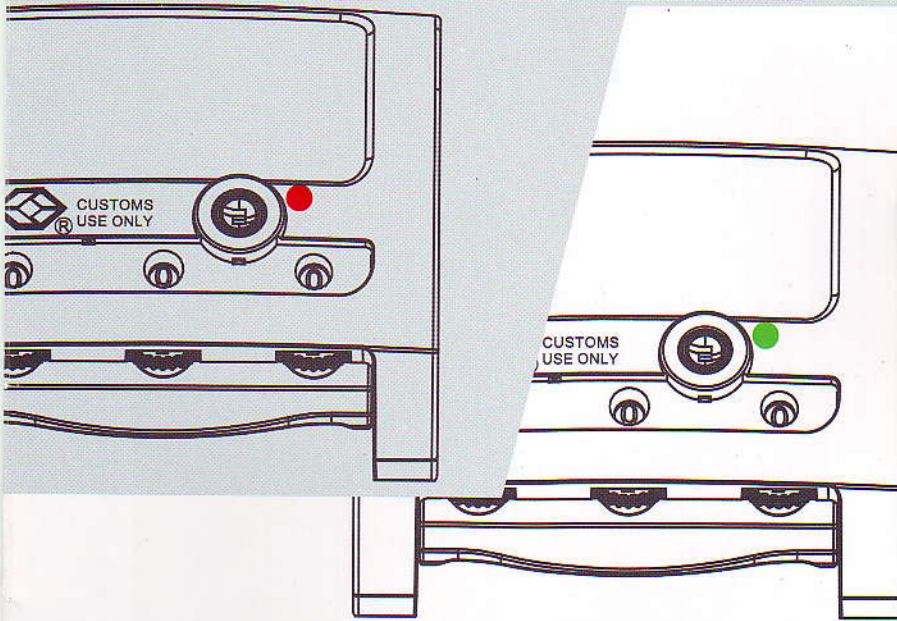
1. Open the lock (the original number is 0-0-0).
2. Press down the reset button with a tool until you hear the 'click' sound.
3. Set your combination by turning the dials (for example 8-8-8).
4. Push the button in the direction of the arrow (1), and let the reset button back until you hear the "click" sound.

Now your personal combination is set.
Remember your personal combination by heart.

Special locks for US Air Travel.


happy journey

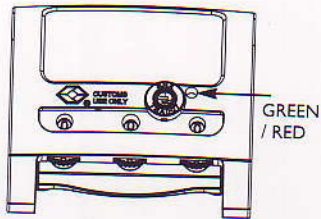
 **CARLTON**
Let's travel together



TSA LOCK WITH "THIRD EYE ALERT"
Most responsible and secure way to lock your bags.

• SCREENING INDICATOR FUNCTION INSTRUCTIONS

The screening indicator will inform you if a security officer has opened your case for inspection.



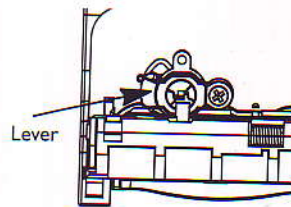
Upon purchase the indicator will be preset to its GREEN state.

If the lock has been opened by a security officer the indicator will change to its RED state.

To reset the indicator back to GREEN please follow the instructions below:

Step 1: Once the lock is opened, turn the green lever in a clockwise direction.

Step 2: The indicator will now be changed back to its GREEN state ready for your next journey.



NOTE: The Transportation Security Administration (TSA) screeners and airline check-in staff at airports are trained to recognize the Travel Sentry® logo.

They understand that baggage with locks displaying this mark are permitted to remain locked. TSA screeners have access to special codes that allow them to open those locks in the event that the baggage must be opened for inspection.

With Travel Sentry® Approved locks the TSA can screen checked baggage faster, without having to break open locks.

COMBINATION LOCK OPERATING INSTRUCTIONS

Upon purchase the combination for this lock will be preset at 0-0-0.
To change the combination number, please follow the instructions below:

Step 1: Turn the dials to the opening combination 0-0-0 and pull the release lever upward to open the lock.

Step 2: Once the lock is open you will see the red reset lever in its OFF position.

Step 3: Flip this lever downward to the ON position.

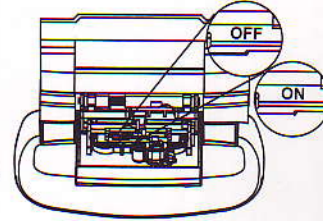
Step 4: Rotate the 3 dials to display your new combination number.

Step 5: Check your combination number again ensuring the numbers are displayed in the correct order.

Step 6: Flip the red reset lever up to its OFF position to secure your chosen combination.

Step 7: Close the lock and scramble the dials to secure the lock.

Step 8: To lock, rotate dials to any other combination.



The lock has now been reset to your own personal combination number.

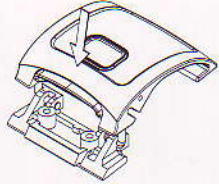
**PLEASE RECORD YOUR COMBINATION AND STORE IN A SAFE
AND ACCESSIBLE PLACE FOR FUTURE REFERENCE.**

SIDE CLAMP OPERATING INSTRUCTIONS

How to open and close the side clamp

Step 1: Push the top button downward and hold.

Step 2: Whilst the top button is pushed down pull the side lever upward simultaneously to release the side clamp.



Step 3: The side clamp will now be in an open position.

Step 4: The side clamp can be closed simply by pressing downward on the top surface.

 **CARLTON**

Carlton Travel Goods Ltd.

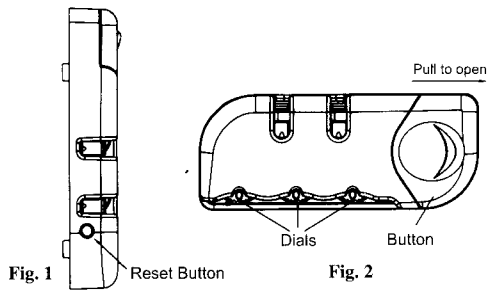
Hollies House, 230 High Street, Potters Bar Hertfordshire EN6 5BL (UK)

Tel: +44 (0) 1707 871630. Fax: +44 (0) 1707 665183

E-mail: info@carltontravelgoods.com www.carltontravelgoods.com

LONDON • BRUSSELS • DUBAI • MUMBAI • HONG KONG

LOCK OPERATING INSTRUCTIONS



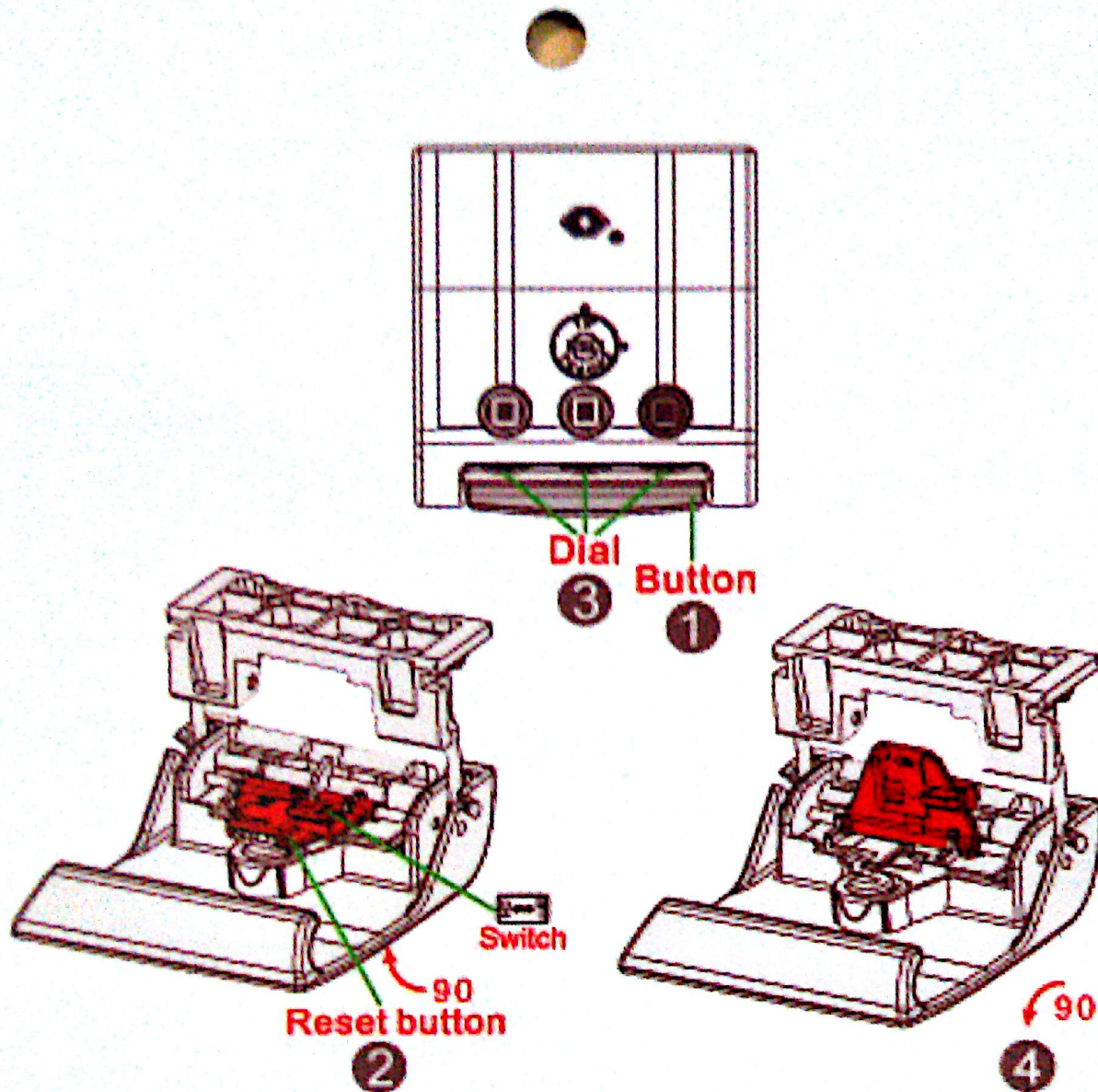
The original number is 0-0-0. To set your personal combination, follow these steps:

1. Open the lock (The original number is 0-0-0).
2. Press down the reset button with a pen (or other tools) all the way until you here the "Click" sound. (fig. 1)
3. Set your secret combination by turning the dials (for example 8-8-8).
4. Pull the button towards the right direction for open position and let the reset button slide back to its original position (fig. 2).

Now your personal code has been reset. Please remember the new combination.

To change the combination, please repeat steps 1-4.

70110115X000



How to reset

The original numbers are 0-0-0; It is better to reset your own combination as per following steps;

1. Press down the button to open the lock;
2. Push the protection cover to the rightside till you find "ON" on the leftside, and then ,turn the reset button upward to 90°;
3. Turn the dails to the numbers you prefer, e.g.:8-8-8;
4. Then,turn the reset button to the original position and push the protection cover to the leftside till you find the "OFF".

Now, you have finished resetting the combination. Pls open the lock with the new numbers .Pls do remember the combination you reset and repeat the above 1-4 steps to reset the button.

